

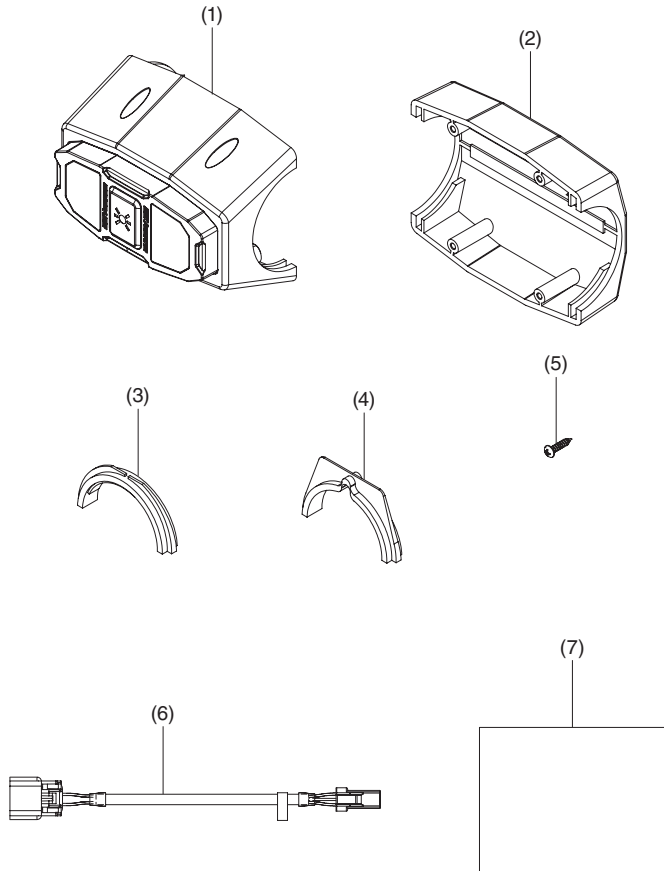


INSTALLATION INSTRUCTIONS

Accessory	Application	Publication No.
DOME LIGHT P/N 0SV51-HL6-A00	SXS1000S2X/S2XD/S2R/ S4X/S4XD	MII 17811
		Issue Date
		March 2022

Honda Dealer: Please give a copy of these instructions to your customer.

PARTS LIST

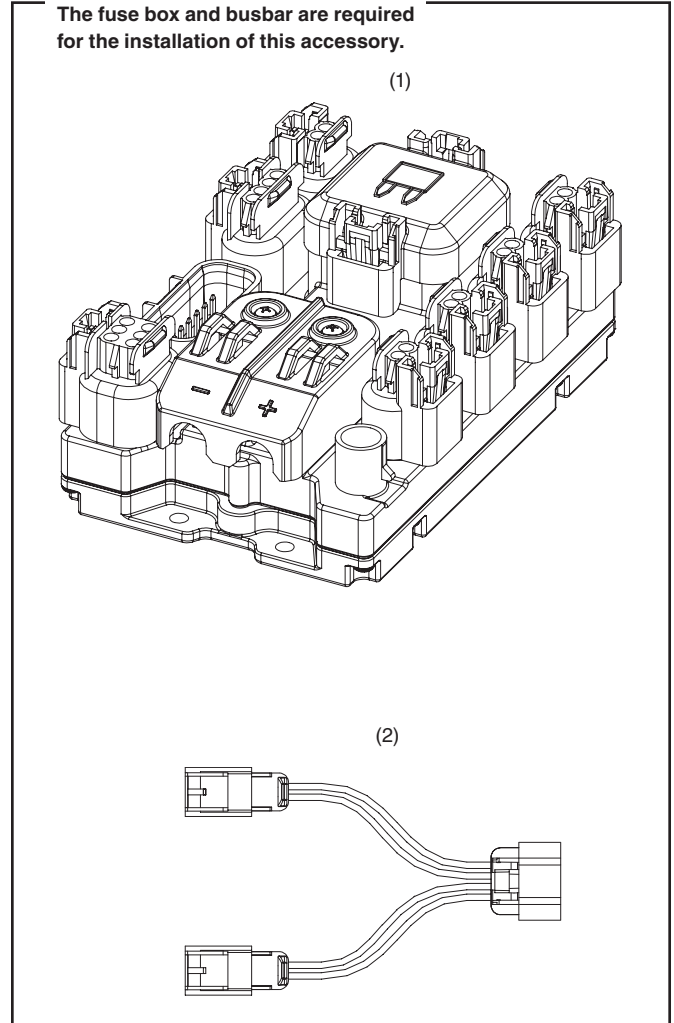


No.	Description	Qty
(1)	Dome light w/ front 2" mounting bracket	1
(2)	2" back mounting bracket	1
(3)	1.75" spacer	3
(4)	1.75" spacer w/ cable opening	1
(5)	#4-20 thread rolling screws	4
(6)	128" dome light extension cable	1
(7)	Installation instructions url	1

Fuse Box

Sold separately (P/N 0SS25-HL4-A00)

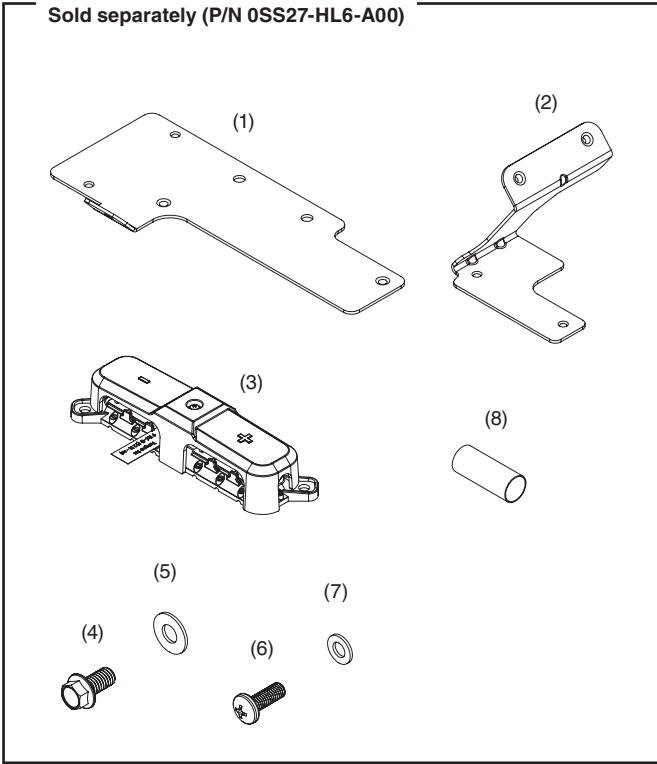
The fuse box and busbar are required for the installation of this accessory.



No.	Description	Qty
(1)	Fuse box switcher	1
(2)	Harness, 4-pin to 2-pin (Y-splitter)	1

Busbar

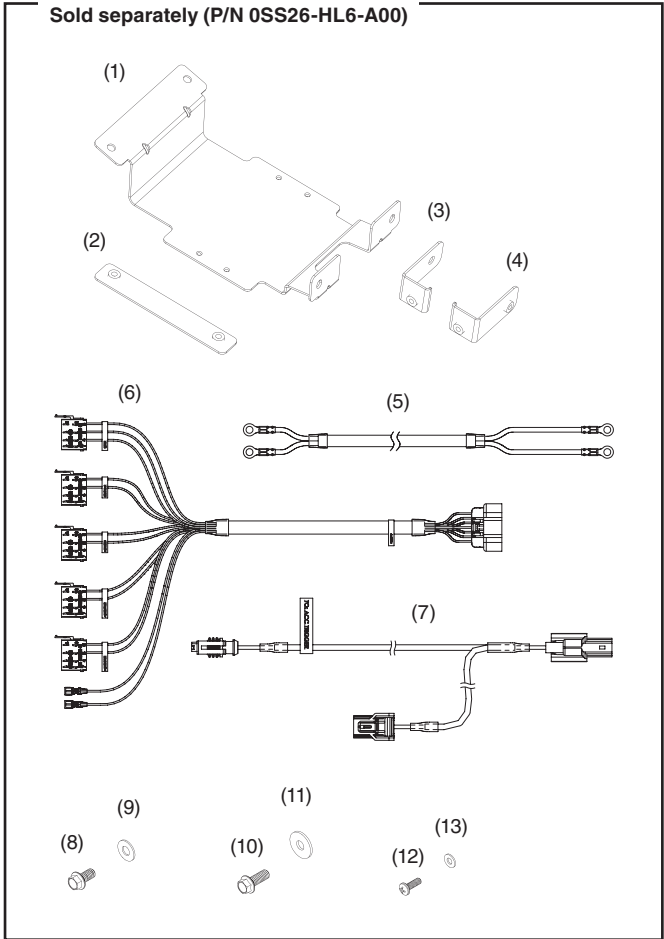
Sold separately (P/N 0SS27-HL6-A00)



No.	Description	Qty
(1)	Main busbar mounting plate	1
(2)	Busbar lower support bracket	1
(3)	Busbar	1
(4)	M6 x 12 mm flange screw (8 mm head)	4
(5)	M6 x 14 mm flat washer	4
(6)	Phillips pan-head screw M5 x 14 mm	2
(7)	M5 x 10 mm flat washer	2
(8)	Heat shrink	2

Fuse Box Mount Kit

Sold separately (P/N 0SS26-HL6-A00)



No.	Description	Qty
(1)	Fuse box mounting plate	1
(2)	Front under bracket	1
(3)	Driver side L-bracket	1
(4)	Passenger side L-bracket	1
(5)	Input power cables	1
(6)	Switch wiring harness	1
(7)	Accessory trigger cable	1
(8)	8 mm hex head M6 flange screw, 12 mm long	4
(9)	M6 flat washer, 14 mm o.d.	4
(10)	8 mm hex head M6 flange screw, 16 mm long	2
(11)	M6 flat washer, 18 mm o.d.	2
(12)	M4 x 0.7 phillips screw, 12 mm long	4
(13)	M4 flat washer	4

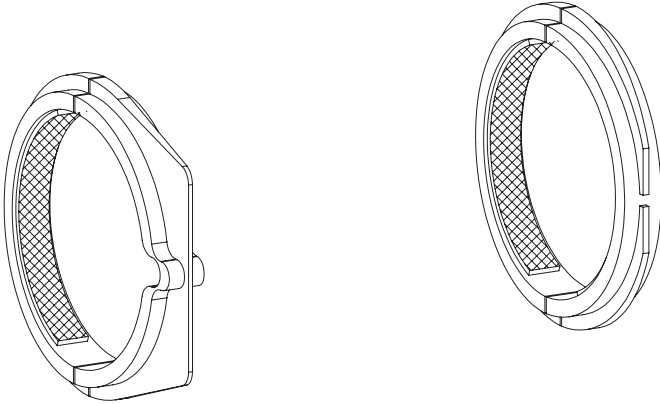
TORQUE CHART

Item	N-m	kgf-m	lbf-ft
Phillips head screw	2.5	0.3	2.0

INSTALLATION

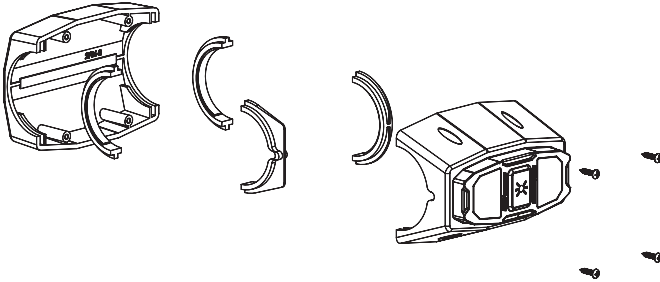
NOTE: Your kit is supplied with optional ring spacers. Inserts are to be used when mounting on applications equipped with a 1.75" diameter tube.

RING

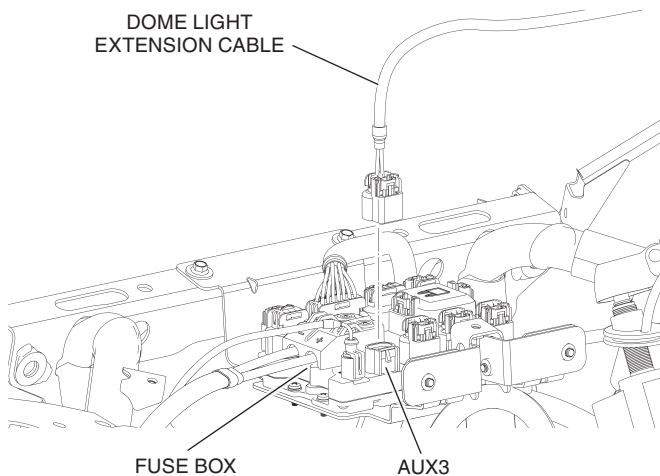


NOTE: Please refer to exploded assembly view when using inserts for proper installation and fitment.

SPACERS DOMELIGHT MOUNT

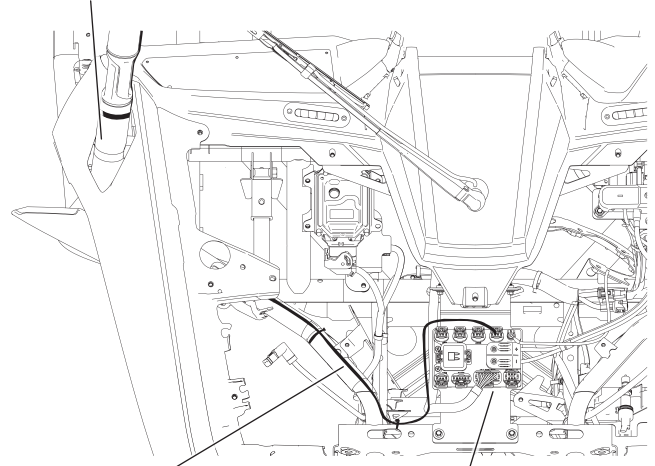


1. Install all other required accessory parts before beginning this installation.
2. Refer to the vehicle service manual and remove the following parts:
 - Hood
 - Ground cable connection to battery
3. Remove connector cap from the port marked AUX3 on the fuse box and connect the Dome Light Extension Cable.



4. Run Dome Light Extension Cable over to the passenger side, under the fender and up to the A-Pillar as shown. Zip Tie as needed.

A-PILLAR

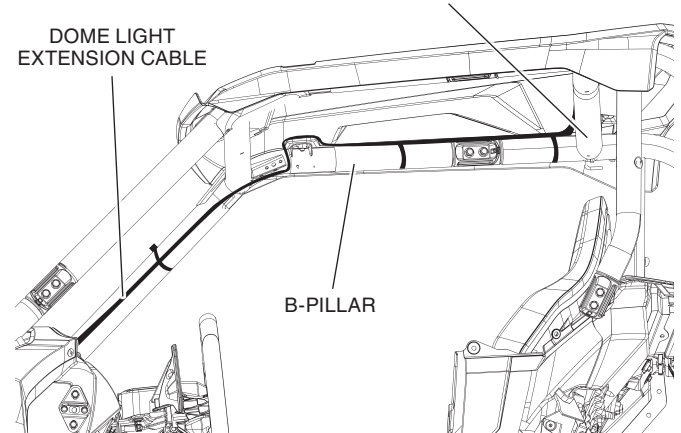


DOMELIGHT EXTENSION CABLE

FUSE BOX

5. Run the Dome Light Extension Cable up the B-pillar and along the top of the roll cage to the center of the cross bar. Zip Tie as needed.

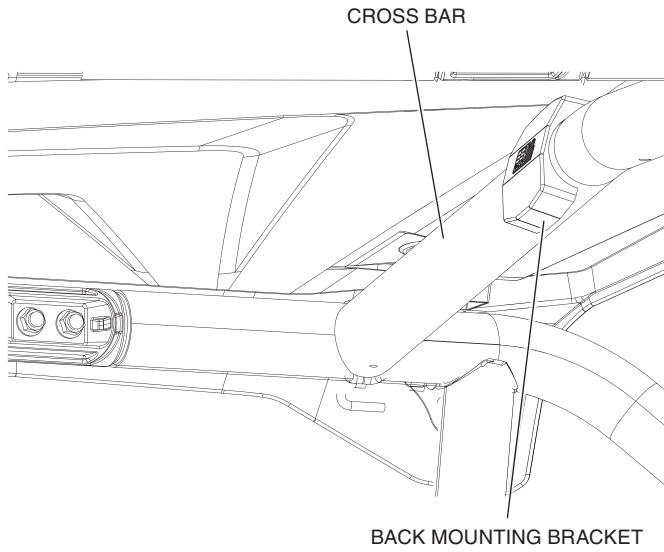
CROSS BAR



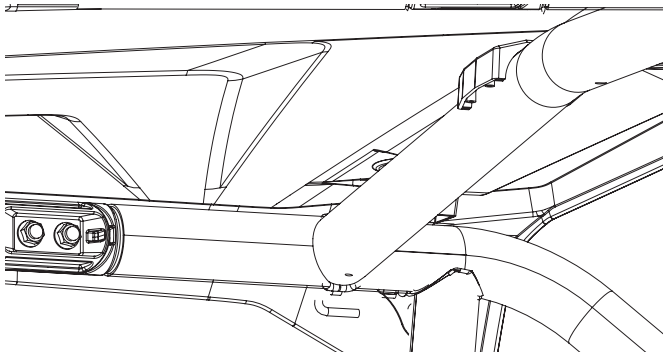
DOMELIGHT EXTENSION CABLE

B-PILLAR

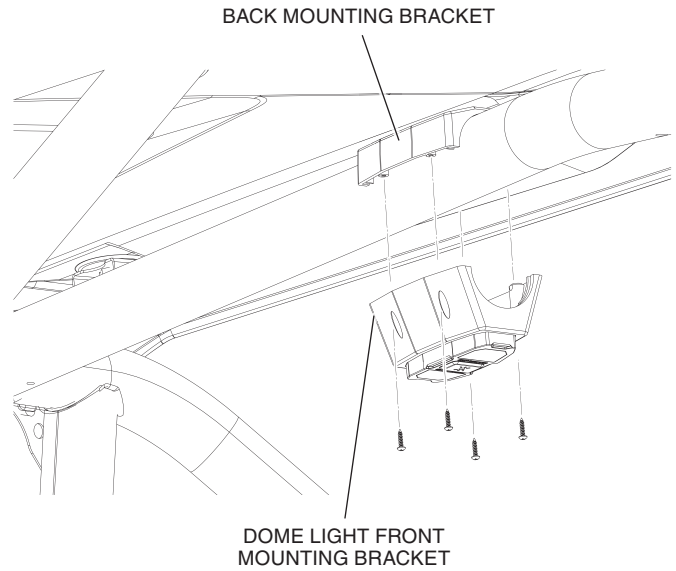
6. Install the Back Mounting Bracket of the dome light enclosure on the center of the cross bar. Make sure to place the Back Mounting Bracket at an angle as shown.



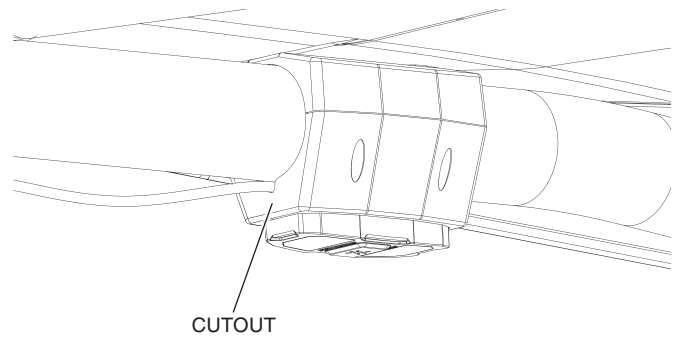
7. Rotate the placement of the Back Mounting Bracket to the top of the cross bar as shown.



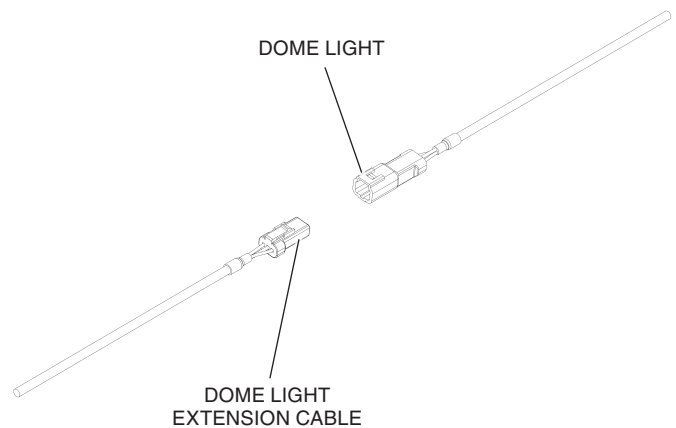
8. Using the supplied screws, loosely attach the Dome Light Front Mounting Bracket to the previously installed Back Mounting Bracket.



9. Make sure the dome light power cable rests in the Dome Light Front Mounting Bracket cutout. Finish tightening the four screws. Torque to 2 lbf-ft.



10. Now connect the dome light to the Dome Light Extension Cable.



11. Reinstall the following in accordance with the vehicle service manual:

- Hood
- Ground cable connection to battery